

Compatibility check instructions:

1. Power rating

Check the thermal design power (TDP) rating of your graphics card.
Accelero Hybrid III-120/140 are capable for 300 W.

2. Water pump mounting

Our water pump is 69.0 x 69.0 mm and it will fit below mounting holes arrangements.

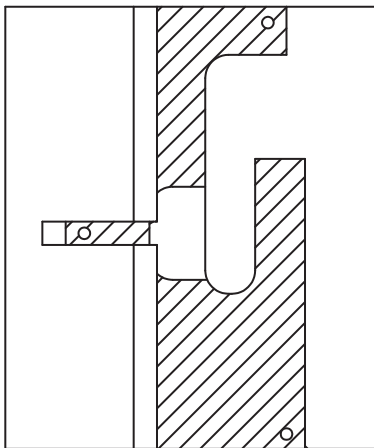
- 51.0 x 61.0 mm
- 53.2 x 53.2 mm
- 58.4 x 58.4 mm

3. Choose the right VRM heat sink

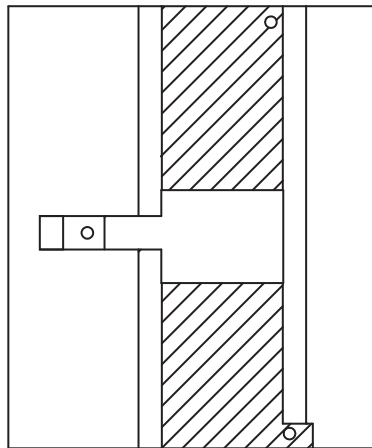
Use option A, B or C to choose the right VRM heat sink for your graphics card.

A) Use ARCTIC dedicated VRM heat sink.

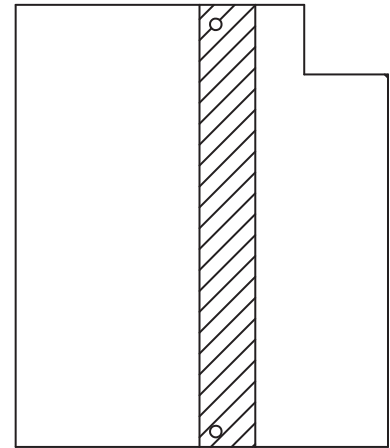
Select the best fit heat sink with the 'Height Restriction Drawing'. Print it in actual size and place on the graphics card to check interference to components.



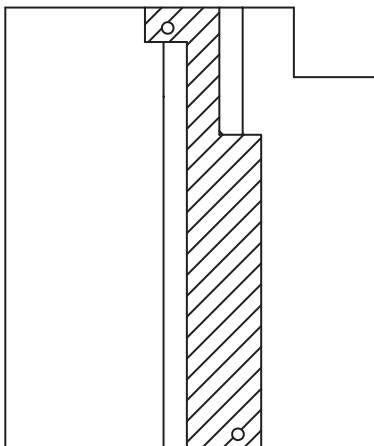
> [GTX 780](#)



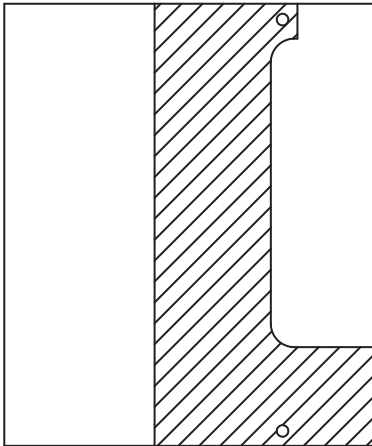
> [GTX 770](#)



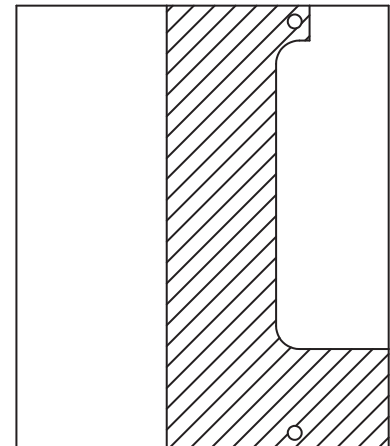
> [R9 290X](#)



> [R9 280X](#)



> [GTX 980](#)



> [GTX 980 Ti & GTX 1080/1070](#)

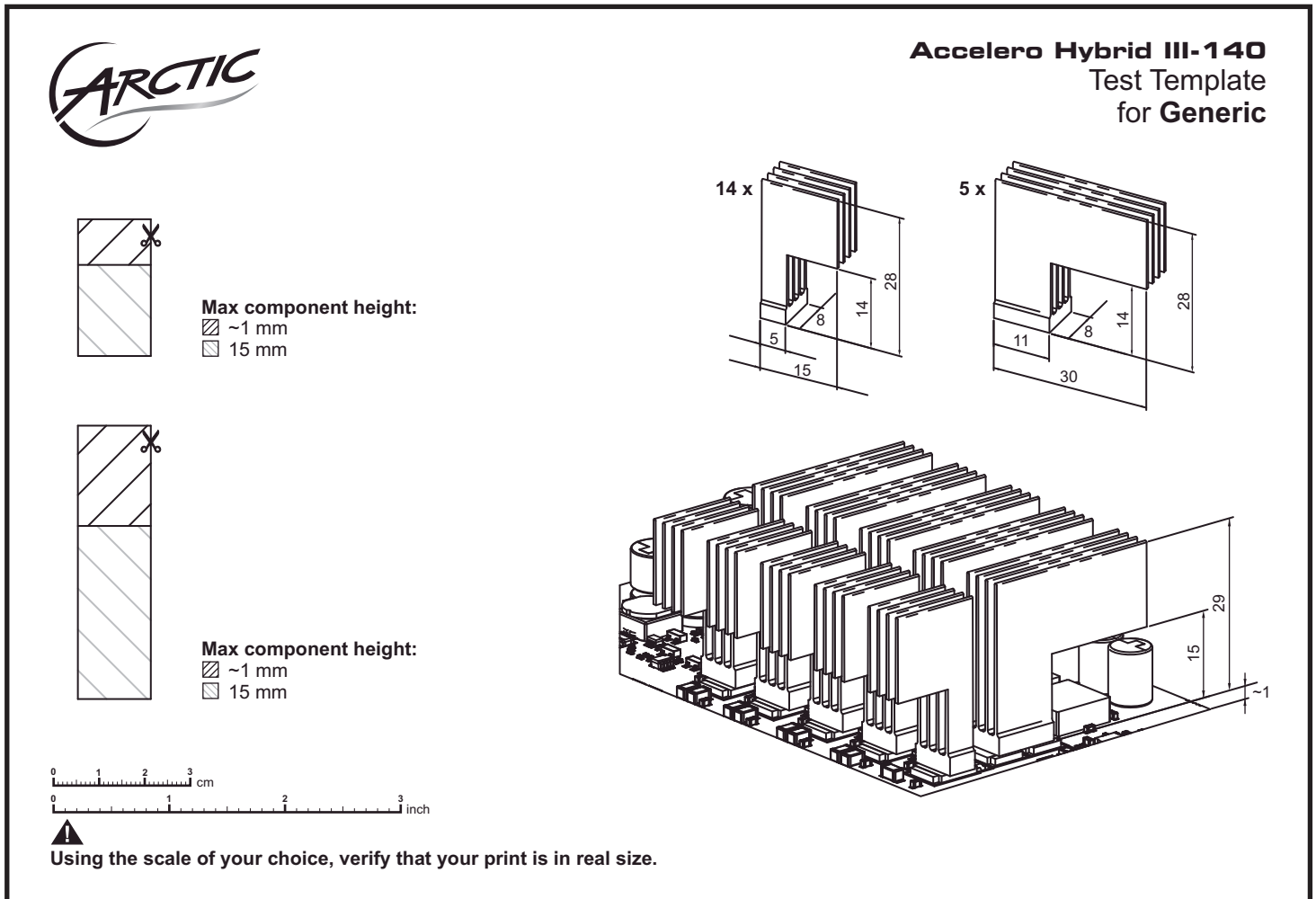
B) Reuse the VRM heat sink on the graphics card.

If there is a separate heat sink on your graphics card, you may reuse it.

You have to pay attention whether there is a backplate. If this VRM cooler can only be mounted back to the card with the backplate, it may conflict with our backplate.

C) Use ARCTIC Generic heat sink.

Confirm the fitting with '[Height Restriction Drawing](#)'. Print it in actual size and place on the graphics card to check interference to components.



➤ [Generic](#)

4. Fitting in PC case

With the '[Height Restriction Drawing](#)', confirm the space in the PC case is adequate for graphics card/cooler assembly. Print them in actual size as a reference to check, page 1-3 for using dedicated VRM and 4-6 for Generic heat sink.